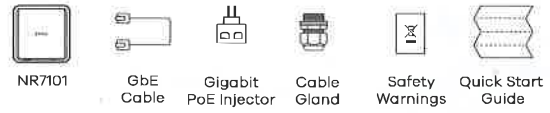


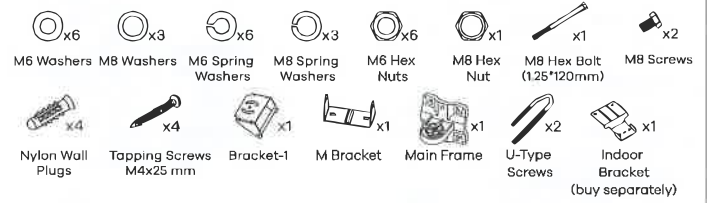
**Quick Start Guide**



**Package Contents**



**Mounting Kit**



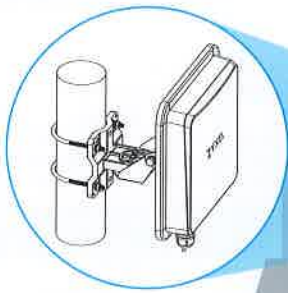
See the User's Guide at [www.zyxel.com](http://www.zyxel.com) for more information, including customer support and safety warnings.

**EU Importer**

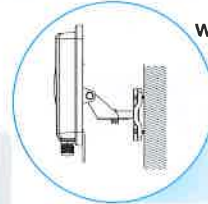
Zyxel Communications A/S  
Glandsøvej 378, 2. th. 2860 Søborg, Denmark  
<https://www.zyxel.com/dk/da/>

Copyright © 2020 Zyxel Communications Corp. All Rights Reserved.

**Location Examples**

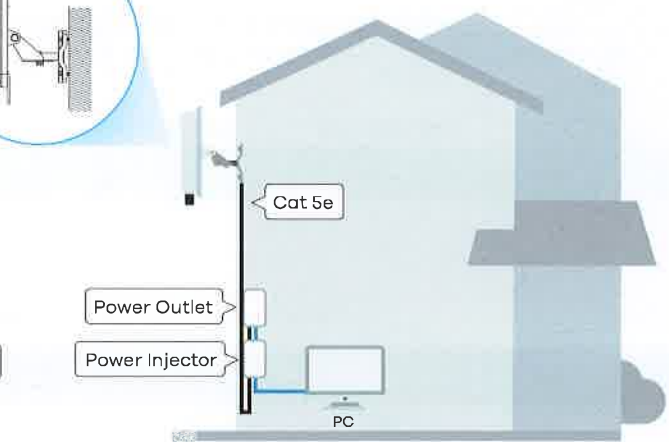
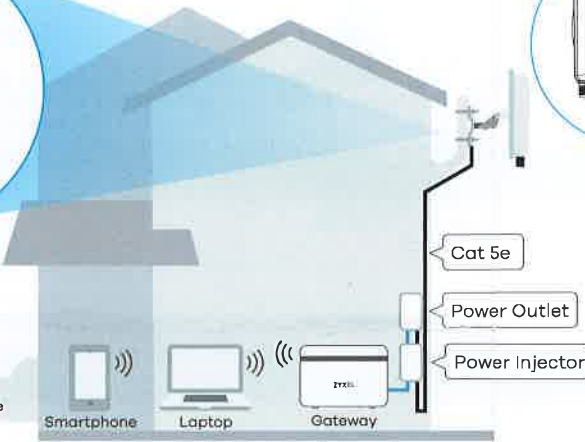


**Pole Mounting**

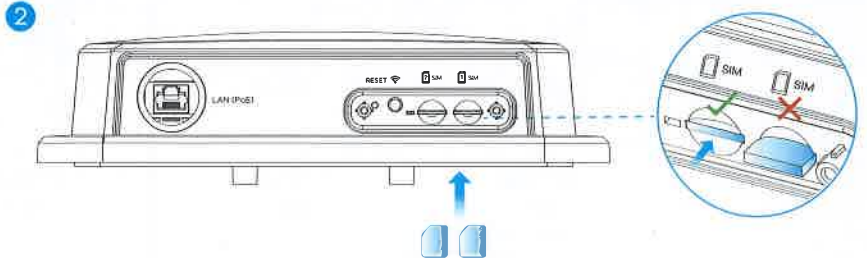
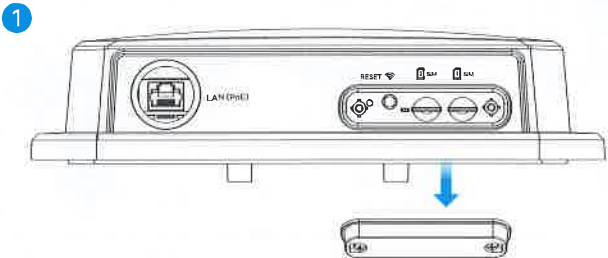


**Wall Mounting**

Place the NR7101 in an open area free of obstacles, and adjust the angle to point the front panel towards the base station to have the strongest possible LTE signal.



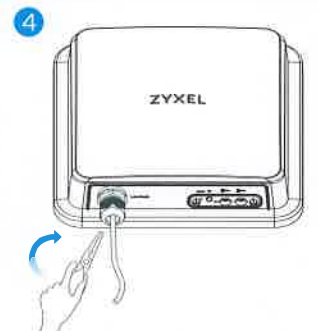
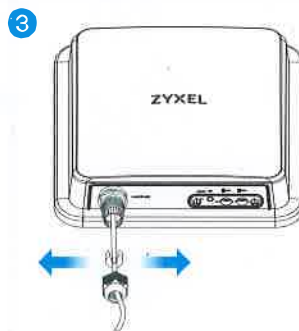
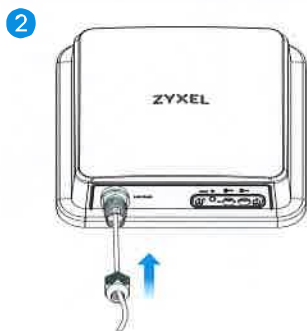
**Step 1 SIM Card Installation**



1 Make sure the NR7101 is turned off. There should be no Ethernet cable connected providing power using PoE. Unscrew the SIM card slot cover and remove it.

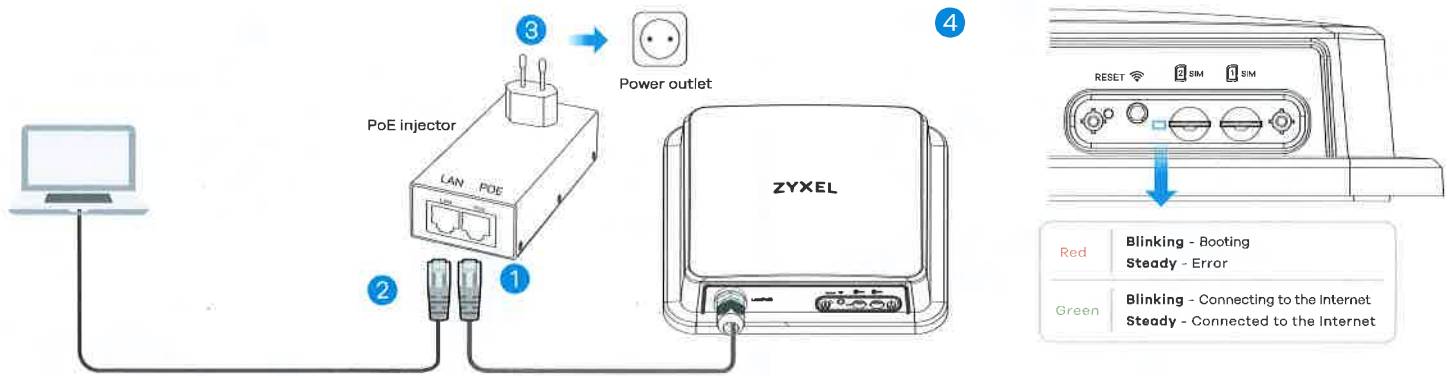
2 Insert your SIM card provided by an LTE ISP (Internet Service Provider) into SIM card slot 1 first. Make sure the SIM card is fully inserted into the card slot.

**Step 2 Cable Connections**



1-4 Follow steps 1 to 4 in the drawing to connect an 8-pin Cat 5e Ethernet cable to the NR7101's LAN port.

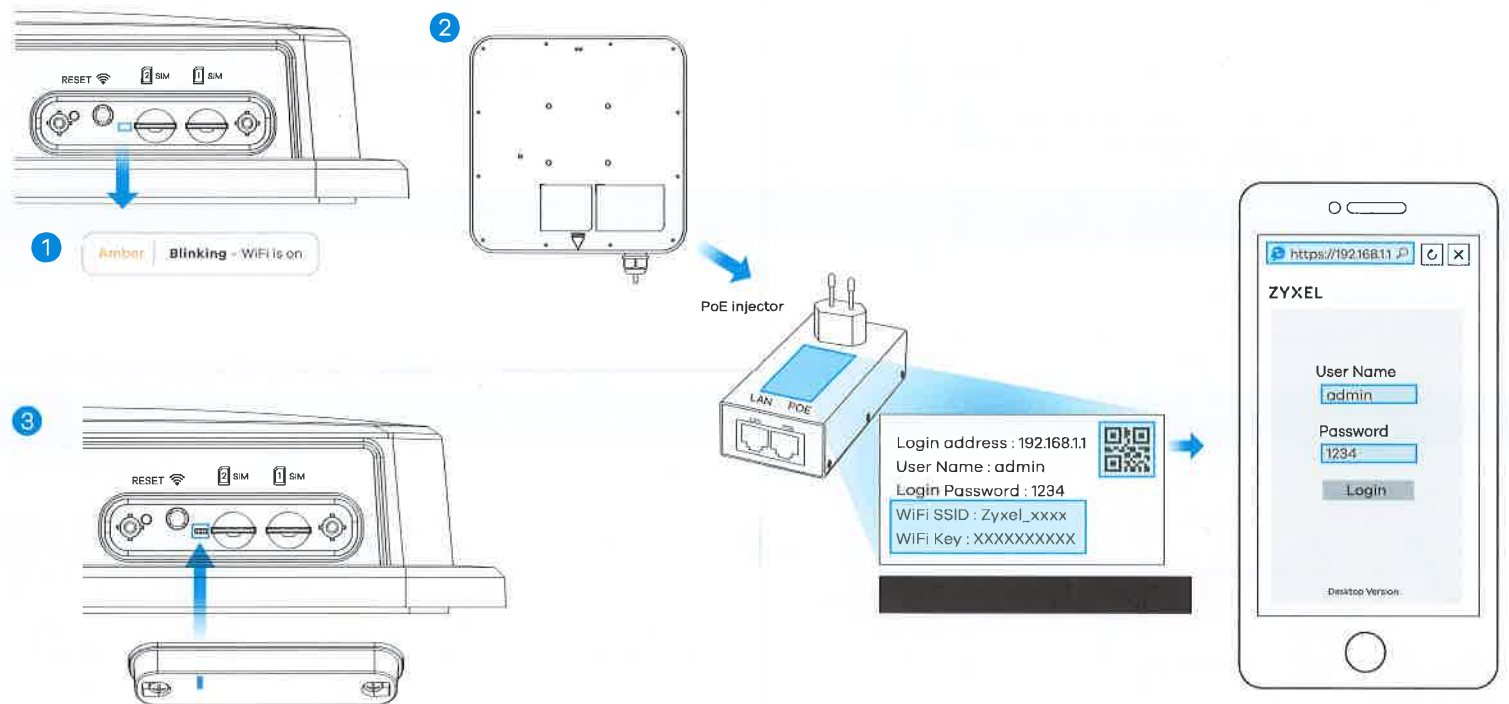
## Step 3 Cable Connections



- 1 Connect the other end of the Ethernet cable to the provided PoE injector's POE port.
- 2 Use an Ethernet cable to connect the injector's LAN port to a computer for initial configuration.
- 3 Connect the power plug on the PoE injector to a power outlet.
- 4 Check the LED next to the SIM card slot.

Red	Blinking - Booting Steady - Error
Green	Blinking - Connecting to the Internet Steady - Connected to the Internet

## Step 4 Connecting to Your NR7101's WiFi for Easy Setup



- 1 Check if WiFi is on - the amber LED is blinking. If not, press the WiFi button to enable WiFi.
- 2 Remove the label from the back of the NR7101 and put it on the injector. Connect to the NR7101 WiFi network using the WiFi SSID and WiFi Key on the label, or on your smartphone simply scan the QR code to connect.
- 3 Screw the SIM card slot cover back into place. Make sure the cover is in the correct position and tightly screwed to the NR7101.

## Configuring Your NR7101 (Optional)

<https://192.168.11>

User Name: **admin**  
Login Password: **1234**



Open a web browser and go to <https://192.168.11>.  
Enter the default username (admin) and password (see label), and then click **Login**.  
See the User's Guide at [www.zyxel.com](http://www.zyxel.com) for more information.

## Step 5 Pole / Wall Mounting: Connect M Bracket and Main Frame

M Bracket



x1

M6 Hex Nuts



x2

Spring Washers



x2

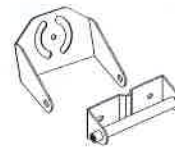
Washers



x2

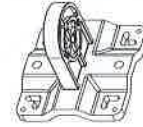


Bracket-1

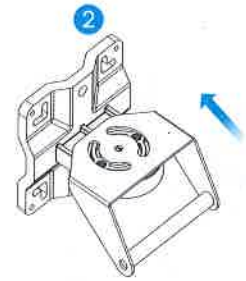


x1

Main Frame



x1



M8 Screws



x2

M8 Spring Washers



x2

M8 Washers



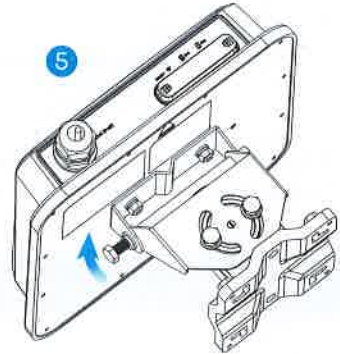
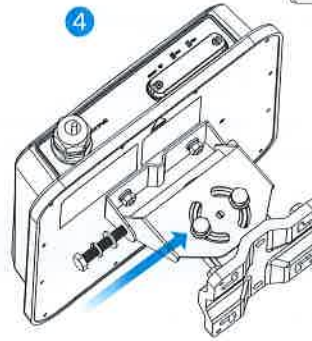
x2



M8 bolt



x1



① Use washers, spring washers, and nuts to attach the M-type bracket to the back of the NR7101.

④-⑤ Follow steps 4-5 in the drawing to align the rotating bracket with the M-type bracket, insert the M8 bolt through the holes, and use washers, spring washers, and nuts to secure it.

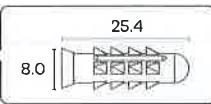
②-③ Follow steps 2-3 in the drawing to attach the rotating bracket to the main mounting frame using M8 screws, washers, spring washers, and hex nuts. Do not tighten the nuts until you adjust the mounting angle in the final step.

### Wall Mounting (Optional)

Four Nylon Wall Plugs



x4

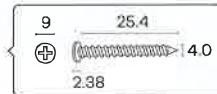


Unit: mm

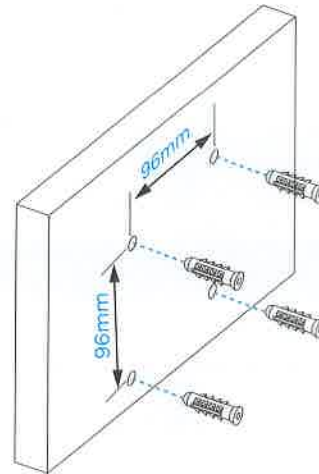
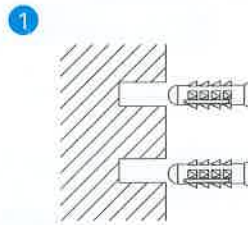
M4 Screws



x4



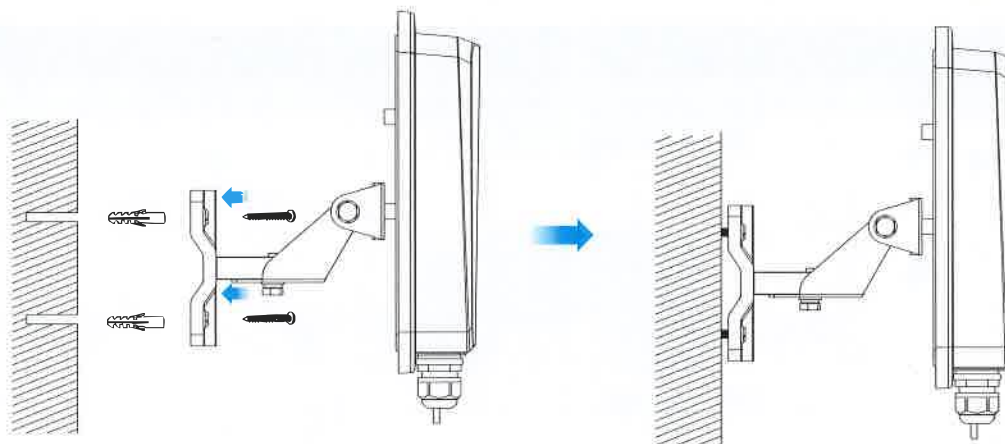
Unit: mm



① Use the four corner holes of the main frame to mark holes on a wall. Drill four holes in a wall.

② Insert the screw anchors and screws into the holes.

③



③ Insert nylon wall plugs into the wall. Use mounting screws to secure the main frame to the wall through the nylon plugs.

## Pole Mounting (Optional)

### U-Type Screws



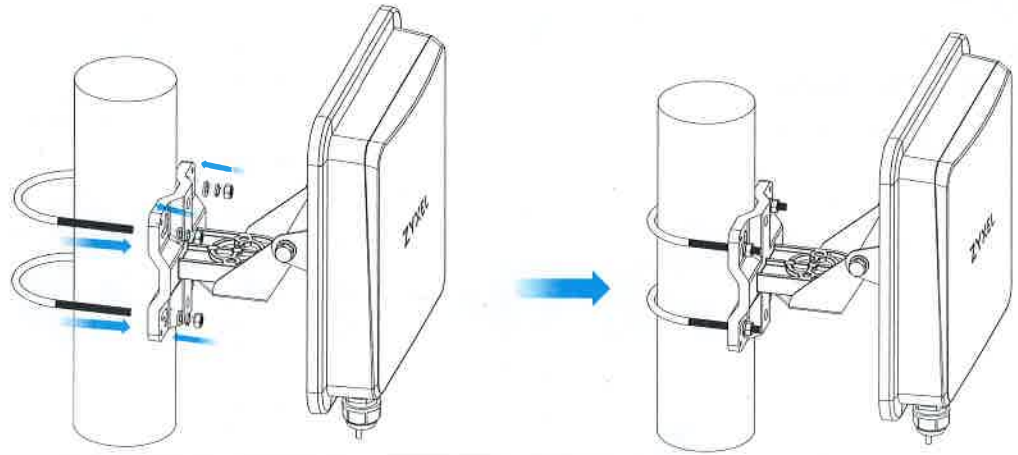
### M6 Washers



### M6 Hex Nuts



### M6 Spring Washers



- Place the U-bolt around a pole. Insert the U-bolt into the holes on the main frame. Use a wrench to secure the main frame to the pole with the washers, spring washers, and nuts.

## Table Stand (Optional)

### Indoor Bracket (Buy separately)



### M6 Hex Nuts



### M8 Screws



### M6 Spring Washers



### M8 Spring Washers



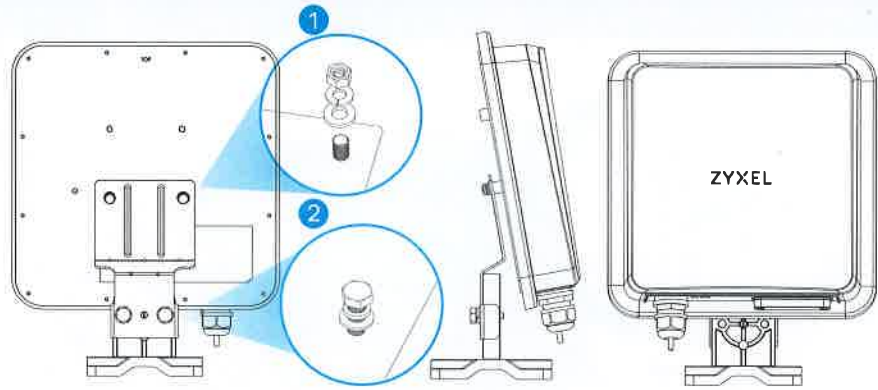
### Main Frame



### M6 Washers



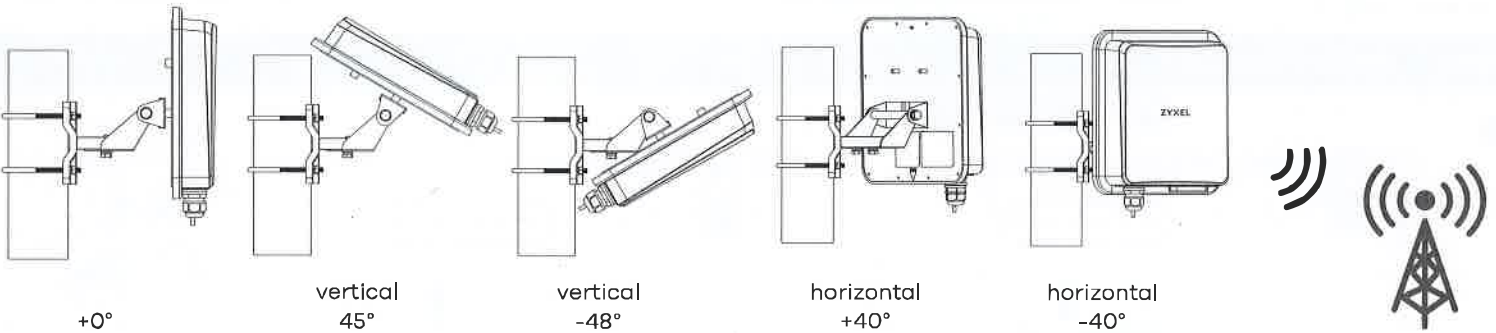
### M8 Washers



- Use washers, spring washers, and nuts to attach the indoor bracket to the back of the device.

- Use M8 screws, washers, spring washers, and screws to attach the main frame to the indoor

## Step 6 Pole / Wall Mounting Angle Adjustment



Connect the PoE injector to a power outlet. Use the LTE Ally app (available on the App Store for Apple devices and Google Play for Android devices) to find the optimal LTE signal strength and manage your NR7101.

Note: After configuring the NR7101, turn its WiFi off.